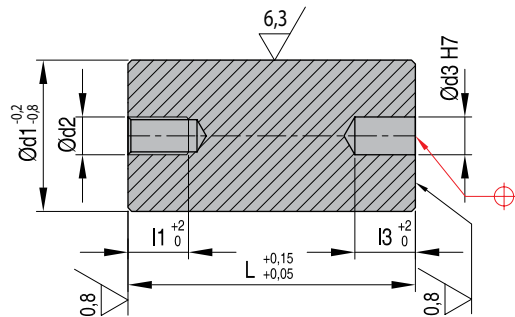


Опорные стойки

Материал: 1.1730 - 640 Н/мм<sup>2</sup>

FW29



www.system.com.ru

Номер d1 x L	d2	d3	l1	l3
FW29 32x36	M8	8	14	14
FW29 32x46	M8	8	14	14
FW29 32x56	M8	8	14	14
FW29 32x66	M8	8	14	14
FW29 32x76	M8	8	14	14
FW29 32x86	M8	8	14	14
FW29 32x96	M8	8	14	14
FW29 32x106	M8	8	14	14
FW29 32x126	M8	8	14	14
FW29 40x46	M10	10	18	18
FW29 40x56	M10	10	18	18
FW29 40x66	M10	10	18	18
FW29 40x76	M10	10	18	18
FW29 40x86	M10	10	18	18
FW29 40x96	M10	10	18	18
FW29 40x106	M10	10	18	18
FW29 40x126	M10	10	18	18
FW29 50x46	M10	10	18	18
FW29 50x56	M10	10	18	18
FW29 50x66	M10	10	18	18
FW29 50x76	M10	10	18	18
FW29 50x86	M10	10	18	18
FW29 50x96	M10	10	18	18
FW29 50x106	M10	10	18	18
FW29 50x116	M10	10	18	18
FW29 50x126	M10	10	18	18
FW29 63x46	M10	10	18	18
FW29 63x66	M10	10	18	18
FW29 63x76	M10	10	18	18
FW29 63x96	M10	10	18	18
FW29 63x106	M10	10	18	18
FW29 63x126	M10	10	18	18

