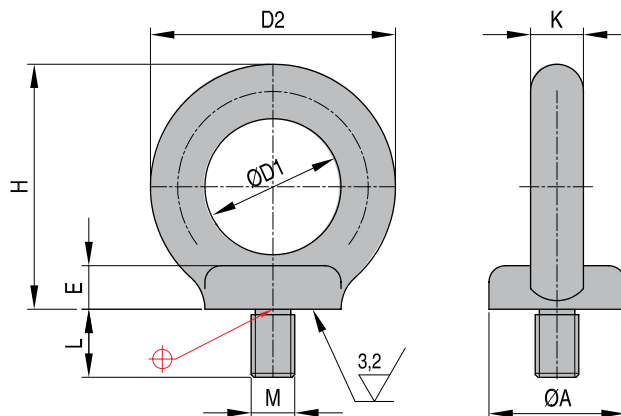


**RM**
**Рым-болты**

1.7131 60 HRC



| Номер        | A  | D1 | D2 | L    | H  | (H)  | K  | M          |
|--------------|----|----|----|------|----|------|----|------------|
| <b>RM 8</b>  | 20 | 20 | 36 | 13,0 | 36 | 1400 | 8  | M8 x 1,25  |
| <b>RM 10</b> | 25 | 25 | 45 | 17,0 | 45 | 2300 | 10 | M10 x 1,50 |
| <b>RM 12</b> | 30 | 30 | 54 | 20,5 | 53 | 3400 | 12 | M12 x 1,75 |
| <b>RM 14</b> | 35 | 35 | 63 | 27,0 | 62 | 4900 | 14 | M14 x 2,00 |
| <b>RM 16</b> | 35 | 35 | 63 | 27,0 | 62 | 7000 | 14 | M16 x 2,00 |
| <b>RM 18</b> | 40 | 40 | 72 | 30,0 | 71 | 9000 | 16 | M18 x 2,50 |

| Номер        | A  | D1 | D2  | L    | H   | (H)   | K  | M          |
|--------------|----|----|-----|------|-----|-------|----|------------|
| <b>RM 20</b> | 40 | 40 | 72  | 30,0 | 71  | 12000 | 16 | M20 x 2,50 |
| <b>RM 22</b> | 45 | 45 | 92  | 34,0 | 90  | 15000 | 18 | M22 x 2,50 |
| <b>RM 24</b> | 50 | 50 | 90  | 36,0 | 90  | 18000 | 20 | M24 x 3,00 |
| <b>RM 27</b> | 50 | 50 | 90  | 36,0 | 90  | 18000 | 20 | M27 x 3,00 |
| <b>RM 30</b> | 65 | 60 | 108 | 45,0 | 109 | 36000 | 24 | M30 x 3,50 |
| <b>RM 36</b> | 75 | 70 | 126 | 54,0 | 128 | 51000 | 28 | M36 x 4,00 |

www.system.com.ru

СИСТЕМА