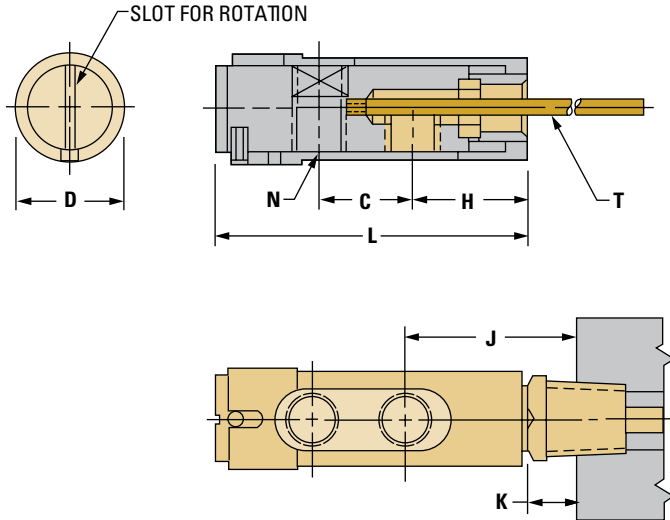


Jiffy-Tite



- Compact design
- 360° seal – leak proof
- Accurate predetermination of port locations
- Easy "one-piece" installation and removal

For cascade-type cooling applications, the Jiffy-Tite Cascade

Water Junctions provide the utmost in versatility and ease of use. Their compact design makes them ideal for cooling inserted cores or spot cooling in hard to reach areas of molds or dies. They can be rotated a full 360° without affecting their positive Jiffy-Tite seal and are easily connected and disconnected – even when installed internally.

Final location of the ports on the body of the Water Junction can be accurately predetermined, thus ensuring proper lateral alignment with pipe clearance holes. Waterlines may be connected to the same side or opposing sides of the Water Junction. A slot on the end of the Water Junction body indicates port position and can be turned with a screwdriver to align the ports with pipe clearance holes.

The brass tube has the rigidity to maintain uniform spacing inside the water channel and is threaded into the body for firm support.

Jiffy-Tite® Cascade Water Junction (JW)

ITEM NUMBER	D	L	C	H	N N.P.T. (3 PLACES)	T 18" LONG TUBE SUPPLIED		
						O. D.	I. D.	THREAD
JW220	.70	2.12	.69	.77	1/8	.190	.126	NO. 1-32
JW320	.96	2.38	.69	1.03	1/8	.250	.170	1/4-28
JW321	.96	2.69	1.00	1.03	1/8	.250	.170	1/4-28
JW541	1.19	3.13	1.00	1.28	1/4	.437	.307	1/16-20

All dimensions are in INCHES.

Notes:

- Bubbler Tubes may be used as replacements in Water Junctions above.
- The 200, 300 and 500 Series Water Junctions are equipped with 200, 300 and 500 series Viton seals respectively, rated at 200 psi and suitable for temperatures up to 400 °F.

REFERENCE DIMENSIONS FOR PORT LOCATION				
WATER JUNCTION ITEM NO	DME JIFFY-SERIE	MATING JIFFY-TITTE PLUG	PORT LOCATION	
			J	K
JW220	N6	JP251	.99	.21
		JP252	1.24	.46
		JP253	1.28	.50
JW320 AND JW321	N9	JP352	1.48	.42
		JP353	1.51	.45
		JP354	1.63	.56
JW541	N16	JP554	1.96	.66
		JP556	2.02	.72

All dimensions are in INCHES.

Typical Applications

