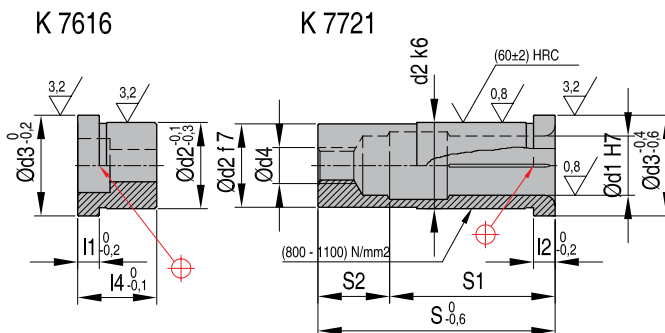


K7721 + K7616

Втулки направляющих колонок + Опорные шайбы

Материал: 1.7131

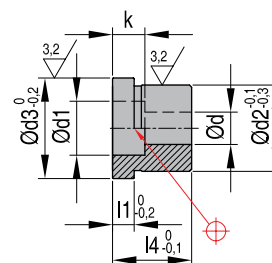


Номер d2 x d1 x S	Номер d2 x d1 x S	d3	d4	l2	s1	s2
K7721 16x11x60	K7721 16x10x60	20	M6	3,5	50	10
K7721 20x15x50	K7721 20x14x50	25	M8	6,0	40	10
K7721 20x15x60	K7721 20x14x60	25	M8	6,0	50	10
K7721 20x15x70	K7721 20x14x70	25	M8	6,0	60	10
K7721 20x15x80	K7721 20x14x80	25	M8	6,0	70	10
K7721 25x19x60	K7721 25x18x60	31	M 10	6,0	46	14
K7721 25x19x70	K7721 25x18x70	31	M 10	6,0	56	14
K7721 25x19x80	K7721 25x18x80	31	M 10	6,0	66	14
K7721 25x19x90	K7721 25x18x90	31	M 10	6,0	76	14
K7721 32x24x70	K7721 32x23x70	38	M 12	6,0	54	16
K7721 32x24x85	K7721 32x23x85	38	M 12	6,0	67	18
K7721 32x24x105	K7721 32x23x105	38	M 12	6,0	86	19
K7721 32x24x110	K7721 32x23x110	38	M 12	6,0	91	19

K7616

Опорные шайбы

Материал: 1.7131



Номер	d	d1	d2	d3	l1	l4	K
K7616x16	6,6	11	16	20	3,5	10	6,8
K7616x20	9,0	15	20	25	6,0	11	8,5
K7616x25	11,0	18	25	31	6,0	15	10,5
K7616x32	13,5	20	32	38	6,0	19	12,5