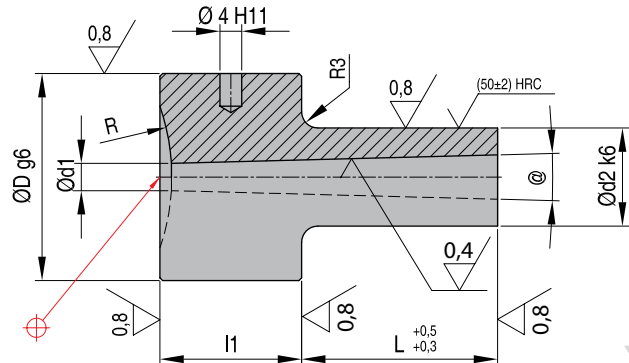


AGK - AGN - AGM - AG

Литниковые втулки

Материал: 1.2826



Номер L x d1 x R	L	d1	D	d2	l1	при	Серия
AGK 20x2,5xR 0	20	2,5	28	12	16	3°	12
AGK 26x2,5xR 0	26	2,5	28	12	16	3°	
AGK 46x2,5xR 0	46	2,5	28	12	16	3°	
AGK 20x2,5xR 15,5	20	2,5	28	12	16	3°	
AGK 26x2,5xR 15,5	26	2,5	28	12	16	3°	
AGK 46x2,5xR 15,5	46	2,5	28	12	16	3°	
AGK 20x3,5xR 0	20	3,5	28	12	16	3°	
AGK 26x3,5xR 0	26	3,5	28	12	16	3°	
AGK 36x3,5xR 0	36	3,5	28	12	16	3°	
AGK 46x3,5xR 0	46	3,5	28	12	16	3°	
AGK 56x3,5xR 0	56	3,5	28	12	16	3°	
AGK 20x3,5xR 15,5	20	3,5	28	12	16	3°	
AGK 26x3,5xR 15,5	26	3,5	28	12	16	3°	
AGK 36x3,5xR 15,5	36	3,5	28	12	16	3°	
AGK 46x3,5xR 15,5	46	3,5	28	12	16	3°	
AGK 56x3,5xR 15,5	56	3,5	28	12	16	3°	
AGN 26x2,5xR 0	26	2,5	38	18	20	3°	16
AGN 46x2,5xR 0	46	2,5	38	18	20	3°	
AGN 26x2,5xR 15,5	26	2,5	38	18	20	3°	
AGN 46x2,5xR 15,5	46	2,5	38	18	20	3°	
AGN 26x2,5xR 40	26	2,5	38	18	20	3°	
AGN 46x2,5xR 40	46	2,5	38	18	20	3°	
AGN 26x3,5xR 0	26	3,5	38	18	20	3°	
AGN 36x3,5xR 0	36	3,5	38	18	20	3°	
AGN 46x3,5xR 0	46	3,5	38	18	20	3°	
AGN 56x3,5xR 0	56	3,5	38	18	20	3°	
AGN 66x3,5xR 0	66	3,5	38	18	20	3°	
AGN 76x3,5xR 0	76	3,5	38	18	20	3°	
AGN 26x3,5xR 15,5	26	3,5	38	18	20	3°	
AGN 36x3,5xR 15,5	36	3,5	38	18	20	3°	
AGN 46x3,5xR 15,5	46	3,5	38	18	20	3°	
AGN 56x3,5xR 15,5	56	3,5	38	18	20	3°	
AGN 66x3,5xR 15,5	66	3,5	38	18	20	3°	
AGN 76x3,5xR 15,5	76	3,5	38	18	20	3°	
AGN 26x3,5xR 40	26	3,5	38	18	20	3°	
AGN 36x3,5xR 40	36	3,5	38	18	20	3°	
AGN 46x3,5xR 40	46	3,5	38	18	20	3°	
AGN 56x3,5xR 40	56	3,5	38	18	20	3°	
AGN 66x3,5xR 40	66	3,5	38	18	20	3°	
AGN 76x3,5xR 40	76	3,5	38	18	20	3°	
AGM 26x3,5xR 0	26	3,5	38	18	26	3°	20->35
AGM 36x3,5xR 0	36	3,5	38	18	26	3°	
AGM 46x3,5xR 0	46	3,5	38	18	26	3°	
AGM 56x3,5xR 0	56	3,5	38	18	26	3°	
AGM 66x3,5xR 0	66	3,5	38	18	26	3°	
AGM 76x3,5xR 0	76	3,5	38	18	26	3°	
AGM 26x3,5xR 15,5	26	3,5	38	18	26	3°	
AGM 36x3,5xR 15,5	36	3,5	38	18	26	3°	
AGM 46x3,5xR 15,5	46	3,5	38	18	26	3°	
AGM 56x3,5xR 15,5	56	3,5	38	18	26	3°	
AGM 66x3,5xR 15,5	66	3,5	38	18	26	3°	
AGM 76x3,5xR 15,5	76	3,5	38	18	26	3°	
AGM 26x3,5xR 40	26	3,5	38	18	26	3°	
AGM 36x3,5xR 40	36	3,5	38	18	26	3°	
AGM 46x3,5xR 40	46	3,5	38	18	26	3°	
AGM 56x3,5xR 40	56	3,5	38	18	26	3°	
AGM 66x3,5xR 40	66	3,5	38	18	26	3°	
AGM 76x3,5xR 40	76	3,5	38	18	26	3°	

Номер L x d1 x R	L	d1	D	d2	l1	при	Серия
AGM 26x3,5xR 40	26	3,5	38	18	26	3°	20->35
AGM 36x3,5xR 40	36	3,5	38	18	26	3°	
AGM 46x3,5xR 40	46	3,5	38	18	26	3°	
AGM 56x3,5xR 40	56	3,5	38	18	26	3°	
AGM 66x3,5xR 40	66	3,5	38	18	26	3°	
AGM 76x3,5xR 40	76	3,5	38	18	26	3°	
AGM 46x5xR 0	46	5,0	38	18	26	3°	
AGM 76x5xR 0	76	5,0	38	18	26	3°	
AGM 46x5xR 15,5	46	5,0	38	18	26	3°	
AGM 76x5xR 15,5	76	5,0	38	18	26	3°	
AGM 46x5xR 40	46	5,0	38	18	26	3°	
AGM 76x5xR 40	76	5,0	38	18	26	3°	
AG 26x5xR 0	26	5,0	50	25	26	2°	20->60
AG 36x5xR 0	36	5,0	50	25	26	2°	
AG 46x5xR 0	46	5,0	50	25	26	2°	
AG 56x5xR 0	56	5,0	50	25	26	2°	
AG 66x5xR 0	66	5,0	50	25	26	2°	
AG 76x5xR 0	76	5,0	50	25	26	2°	
AG 86x5xR 0	86	5,0	50	25	26	2°	
AG 96x5xR 0	96	5,0	50	25	26	2°	
AG 106x5xR 0	106	5,0	50	25	26	2°	
AG 126x5xR 0	126	5,0	50	25	26	2°	
AG 26x5xR 15,5	26	5,0	50	25	26	2°	
AG 36x5xR 15,5	36	5,0	50	25	26	2°	
AG 46x5xR 15,5	46	5,0	50	25	26	2°	
AG 56x5xR 15,5	56	5,0	50	25	26	2°	
AG 66x5xR 15,5	66	5,0	50	25	26	2°	
AG 76x5xR 15,5	76	5,0	50	25	26	2°	
AG 86x5xR 15,5	86	5,0	50	25	26	2°	
AG 96x5xR 15,5	96	5,0	50	25	26	2°	
AG 106x5xR 15,5	106	5,0	50	25	26	2°	
AG 126x5xR 15,5	126	5,0	50	25	26	2°	
AG 26x5xR 40	26	5,0	50	25	26	2°	
AG 36x5xR 40	36	5,0	50	25	26	2°	
AG 46x5xR 40	46	5,0	50	25	26	2°	
AG 56x5xR 40	56	5,0	50	25	26	2°	
AG 66x5xR 40	66	5,0	50	25	26	2°	
AG 76x5xR 40	76	5,0	50	25	26	2°	
AG 86x5xR 40	86	5,0	50	25	26	2°	
AG 96x5xR 40	96	5,0	50	25	26	2°	
AG 106x5xR 40	106	5,0	50	25	26	2°	
AG 126x5xR 40	126	5,0	50	25	26	2°	
AG 116x7xR 0	116	7,0	50	25	26	2°	
AG 136x7xR 0	136	7,0	50	25	26	2°	
AG 156x7xR 0	156	7,0	50	25	26	2°	
AG 116x7xR 15,5	116	7,0	50	25	26	2°	
AG 136x7xR 15,5	136	7,0	50	25	26	2°	
AG 156x7xR 15,5	156	7,0	50	25	26	2°	
AG 116x7xR 40	116	7,0	50	25	26	2°	
AG 136x7xR 40	136	7,0	50	25	26	2°	
AG 156x7xR 40	156	7,0	50	25	26	2°	

www.system.com.ru

CAD reference point