

Информация

d = Диаметр внутренний

d1 = Диаметр внешний

d2 = Диаметр головки

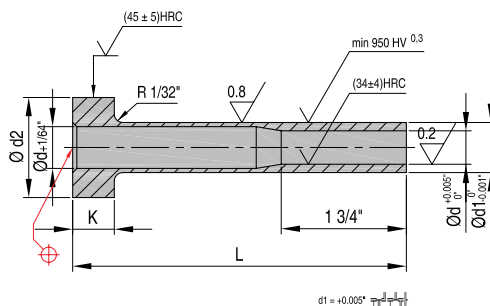
K = Толщина головки

L = Длина

Материал: H 13

Макс. темп.: 500-550 °C

Шероховатость: Ra



| Артикул | Тип | d +0,0005" -0,0000" | d1 +0,0005" -0,0000" | d2 +0,000" -0,010" | K +0,000" -0,002" | L ^{+0,375"} -0,000" | | | | | | | | | | |
|---------|-----|---------------------------|----------------------------|--------------------------|-------------------------|---------------------------------|----|----|----|----|----|----|-----|-----|-----|--|
| | | | | | | 3" | 4" | 5" | 6" | 7" | 8" | 9" | 10" | 11" | 12" | |
| S13M L | S | 3/32" | 3/16" | 3/8" | 3/16" | | | | | | | | | | | |
| S15M L | | 1/8" | 7/32" | 12/32" | 3/16" | | | | | | | | | | | |
| S17M L | | 5/32" | 1/4" | 7/16" | 3/16" | | | | | | | | | | | |
| S21M L | | 3/16" | 5/16" | 1/2" | 1/4" | | | | | | | | | | | |
| S23M L | | 7/32" | 11/32" | 9/16" | 1/4" | | | | | | | | | | | |
| S25M L | | 1/4" | 3/8" | 5/8" | 1/4" | | | | | | | | | | | |
| S29M L | | 5/16" | 7/16" | 11/16" | 1/4" | | | | | | | | | | | |
| S33M L | | 3/8" | 1/2" | 3/4" | 1/4" | | | | | | | | | | | |
| S37M L | | 7/16" | 5/8" | 7/8" | 1/4" | | | | | | | | | | | |
| S39M L | | 1/2" | 11/16" | 15/16" | 1/4" | | | | | | | | | | | |
| S41M L | | 9/16" | 3/4" | 1" | 1/4" | | | | | | | | | | | |
| S45M L | | 5/8" | 7/8" | 1 1/8" | 1/4" | | | | | | | | | | | |
| S47M L | | 3/4" | 1" | 1 1/4" | 1/4" | | | | | | | | | | | |

www.system.com.ru

ООО "СИСТЕМА"