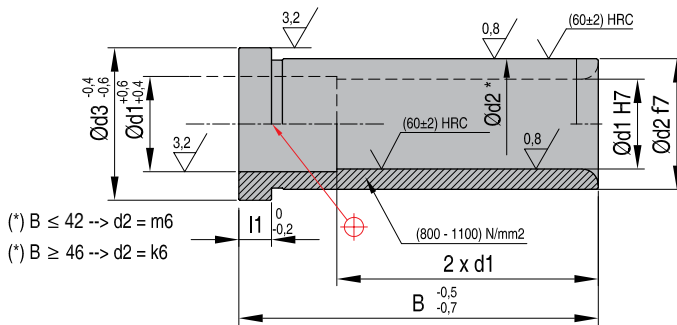


Втулки направляющих колонок

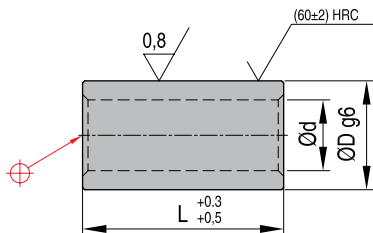
Материал: 1.7131

K7661


Номер d2 x d1 x B	Номер d2 x d1 x B	d2	d3	l1
K7661 20x15x32	K7661 20x14x32	20	25	6
K7661 25x19x42	K7661 25x18x42	25	31	6
K7661 32x24x52	K7661 32x23x52	32	36	6
K7661 32x24x62	K7661 32x23x62	32	36	6

Центрирующие втулки

Материал: 1.7131

K7731


Номер D x L	D	d	Номер D x L	D	d
K7731 20x15	20	16	K7731 25x50	25	21
K7731 20x20	20	16	K7731 25x60	25	21
K7731 20x25	20	16	K7731 25x70	25	21
K7731 20x30	20	16	K7731 25x80	25	21
K7731 20x35	20	16	K7731 25x90	25	21
K7731 20x40	20	16	K7731 25x100	25	21
K7731 20x45	20	16	K7731 25x120	25	21
K7731 20x50	20	16	K7731 32x30	32	26
K7731 20x60	20	16	K7731 32x50	32	26
K7731 20x70	20	16	K7731 32x60	32	26
K7731 20x80	20	16	K7731 32x70	32	26
K7731 25x20	25	21	K7731 32x80	32	26
K7731 25x25	25	21	K7731 32x95	32	26
K7731 25x30	25	21	K7731 32x100	32	26
K7731 25x35	25	21	K7731 32x120	32	26
K7731 25x40	25	21	K7731 32x140	32	26
K7731 25x45	25	21			